

la Radiosa

INNOVATION WITHOUT COMPROMISE



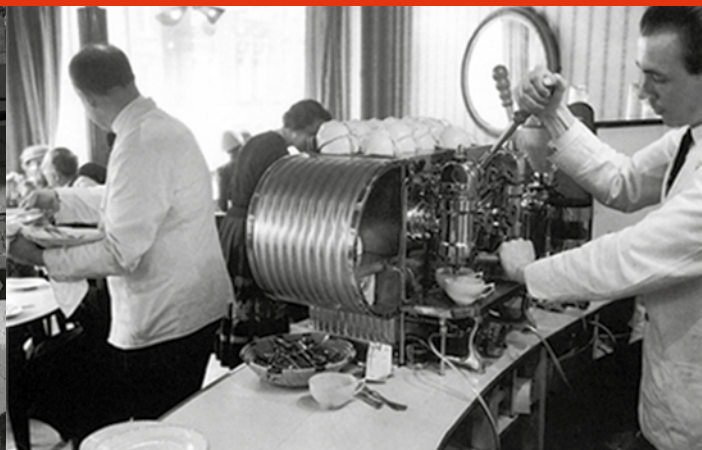
GAGGIA
MILANO



IT WAS THE YEARS-LONG QUEST TO CREATE THE PERFECT ESPRESSO, AGAINST THE BACKDROP OF 1930s MILAN, THAT GAVE BIRTH TO ONE OF THE MOST ICONIC ITALIAN BRANDS IN THE WORLD.

IN 1938, THE ITALIAN BARISTA ACHILLE GAGGIA FILED THE PATENT THAT SIGNALED A REVOLUTION IN THE WAY THE AROMAS ARE EXTRACTED FROM COFFEE, ALLOWING US TO TASTE THE PERFECT ITALIAN ESPRESSO, COMPLETE WITH ITS 'CREMA', FOR THE VERY FIRST TIME: A UNIQUE PLEASURE.

TODAY, AS IT WAS THEN, GAGGIA'S MISSION IS TO TAKE THE TRADITION OF THE ITALIAN ESPRESSO TO THE WORLD. THE COMPANY'S UNCHANGING VALUES OF TRADITION AND PROFESSIONALISM ARE AN INTRINSIC PART OF ALL THE MACHINES IN ITS RANGE, WHICH ADDRESSES THE REQUIREMENTS OF COFFEE PROFESSIONALS BY COMBINING STATE-OF-THE-ART TECHNOLOGY WITH SOPHISTICATED DESIGN.



GAGGIA
MILANO



la Radiosa

GAGGIA
MILANO



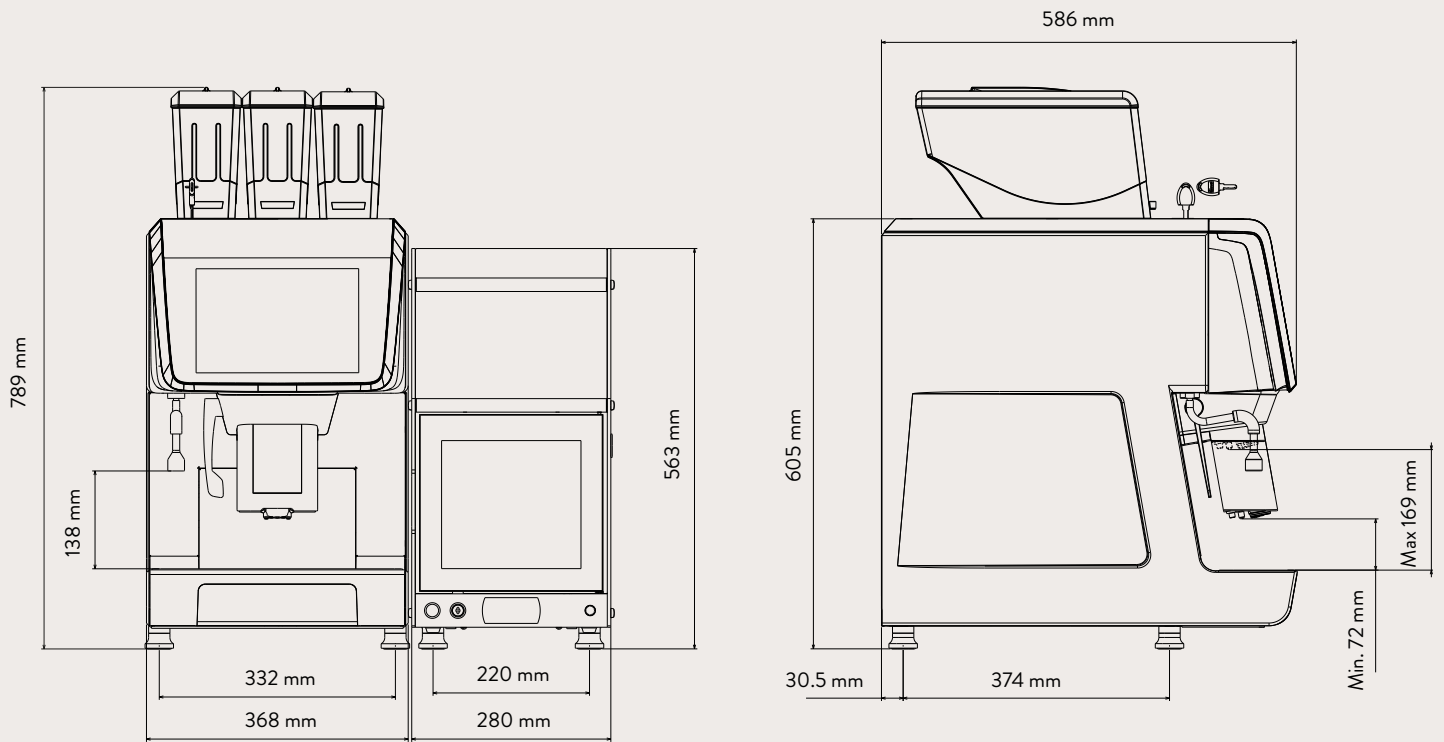
EXCLUSIVE DESIGN

THE FIRST THING YOU'LL NOTICE ABOUT THIS GREAT NEW MACHINE FROM GAGGIA MILANO IS ITS EYE-CATCHING DESIGN, CENTRED ON ITS DOOR, WHICH IS SURROUNDED BY RGB LEDS, ALLOWING PURCHASERS TO CHANGE ITS APPEARANCE. IN ADDITION TO ITS COMPACT DIMENSIONS, LA RADIOA OFFERS GREAT FLEXIBILITY. YOU CAN SPECIFY ONE OR TWO BEAN HOPPERS, WITH ONE OR TWO SOLUBLE POWDER CONTAINERS.

ENHANCED ELECTRONICS

LA RADIOA BOASTS ENHANCED ELECTRONICS, ACCESSED VIA A 10" TOUCHSCREEN USER INTERFACE. FROM HERE, YOU CAN CREATE YOUR OWN CUSTOM DRINKS ICONS, ADJUST THE COLOUR OF THE LEDS AND MUCH MORE. THE CONNECTIVITY 'BOX' IS ALSO TICKED, THANKS TO EMBEDDED WI-FI / BLUETOOTH AND THE PRE-SET 3G CELLULAR CONNECTION.





EVOMILK TECHNOLOGY

LA RADIOSA BENEFITS FROM BRAND-NEW GAGGIA MILANO EVOMILK TECHNOLOGY, WHICH ALLOWS USERS TO SET-UP VARIOUS DOSES, TEMPERATURES AND DENSITIES OF FRESH MILK AND AT THE END OF THE DAY, THERE'S NO NEED TO WORRY ABOUT CLEANING THE MACHINE, THANKS TO A PLUG-AND-PLAY AUTOMATIC CLEANING CYCLE. LA RADIOSA CAN DISPENSE **HOT AND COLD** PERFECTLY FOAMED MILK.

24 V COFFEE PUMP

LA RADIOSA HAS A 24V HIGH THROUGHOUT PUMP WITH ADJUSTABLE FLOW, ENABLING YOU TO CREATE A UNIQUE COFFEE PROFILE. SIMILARLY, THE DENSITY OF SOLUBLE DRINKS CAN BE ADJUSTED, ACCORDING TO YOUR TASTE.



la Radiosa

TIMELESS DESIGN MEETS INNOVATION AND EFFICIENCY

SIZE/WEIGHT		
Width	mm / in	368 / 14.5
Depth	mm / in	586 / 23.1
Height	mm / in	789 / 31.0
Weight	Kg / lb	47 / 104
CAPACITY		
Suggested output	Cups per day	250
Coffee brewer capacity	gr	Up to 16
Beans hopper capacity	Kg / lb	1.2 / 2.6
ELECTRICAL AND HYDRAULIC SPECIFICATION		
Voltage	V	230 - 240
Frequency	Hz	50 - 60
Maximum absorbed power	W	3200
Coffee water tank load capacity	Lt / UK gal	0.8 / 0.176
Water pump flow	Lt / UK gal (per hour)	80 / 17.60
TECHNICAL FEATURES		
10" full HD touchscreen		
Up to 12 selections per single page		
Up to 5 drinks categories (up to 120 selections for each category, up to 600 selections)		
RGB LEDs lateral stripes (up to 256 colours)		
Self service or Barista configurable User Interface		
Customizable User Interface (drinks icons, customer logo and background colour)		
Customizable access to programming (different access passwords)		
2 beans + 1 soluble or 1 bean + 2 solubles layout available		
Hot and cold foamed milk *		
Innovative milk system cleaning *		
Flow control system for coffee and solubles preparation		
Independent hot water outlet		
Adjustable nozzle head from 75 mm to 170 mm (from 2.95 to 6.7 in)		
Energy saving: soft and deep mode		
Eva-dts file for statistics		
MDB capable (hardware and software)		
USB port		
Embedded Wifi and Bluetooth connectivity		
OPTIONAL		
Self setting regulation of blades		
Ambient water bypass for iced drinks		
3G connectivity		
ACCESSORIES		
5 litres capacity glass front fridge		
5 litres capacity glass front fridge + cup warmer on the top		
Lateral module for payment systems		
Kit to discharge coffee cakes under the table		
Self feeding water kit		

* EvoMilk

L073U0X

EVOCA S.p.A. - Via Roma, 24 - 24030 Valbrembo, Bergamo - Italy - Tel.: +39 035 606 111 - Fax: +39 035 606 560
In accordance with its policy of progressive product design EVOCA S.p.A. reserves the right to alter specifications.
Gaggia is a trademark licensed by Gaggia S.p.A.

GAGGIA
MILANO



INFO@GAGGIAPROFESSIONAL.COM